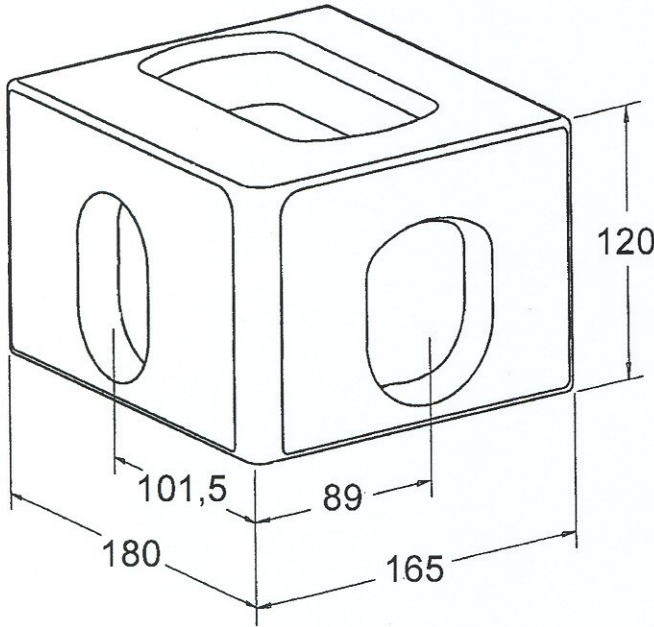


CORNER CASTINGS

for ISO-Standard Containers

Container Corner Castings according to ISO 1161-1984(E)



Type L 33.564 A
top left (as shown)

Type L 33.564 B
top right (opposite)

acc. to our drawing
no. 40 0290 48

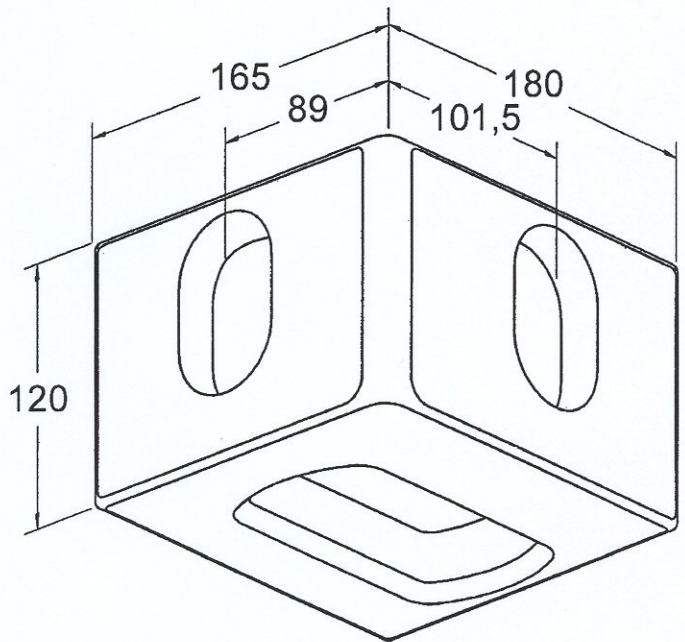
Weight: 12 kgs/piece

Type L 35.480 A
bottom left (opposite)

Type L 35.480 B
bottom right (as shown)

acc. to our drawing
no. 40 0290 48

Weight: 12 kgs/piece



The castings are properly cast, dressed, normalized, shotblasted and machined on the outside surfaces; made of *Aldur S 45*, a non-ageing, fine-grained structural cast steel, resistant to brittle fracture with high yield strength, guaranteed weldability and designed for low temperature working (at -40°C as standard).